

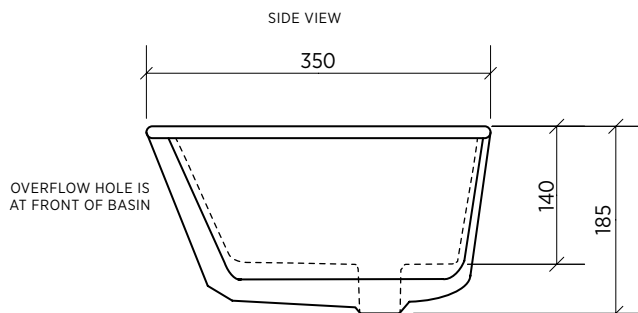
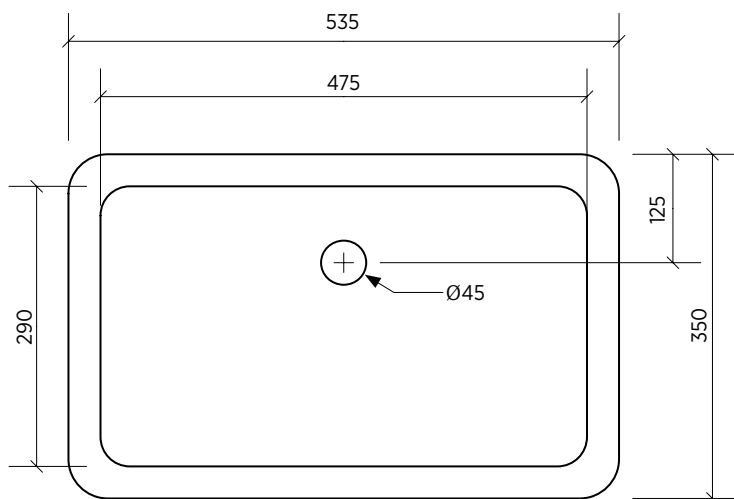
PLATI SBC-216



Under counter basin, rectangular

The simple lines of this rectangular undermount basin will complement any bathroom design. Suits solid surface benchtops.

ORDER CODE	SBC-216
TAPHOLE	No taphole.
WASTE	Suits standard 32 mm waste (not supplied).
OVERFLOW	Overflow is at front of basin. Overflow flow rate: 7.5 litres per minute.
CAPACITY	8 litres.
MATERIAL	White vitreous china, gloss finish.
FIXING	Refer to benchtop manufacturer's instructions for fixing basin to benchtop. Use acetic cured silicone sealant. Do not use epoxy type adhesives. Always use the actual basin to verify cutout.



Please note

- All measurements are in millimetres.
- Dimensions are nominal and subject to normal ceramic manufacturing variations of ± 5 mm.
- Fixing: Use acetic cured silicone sealant. Do not use epoxy type adhesives.
- Always use the actual basin to verify cutout.
- Specifications may vary without notice as part of our continuous improvement practices.
- Clean with a damp cloth. Do not use abrasive cleaners, liquids or pastes.